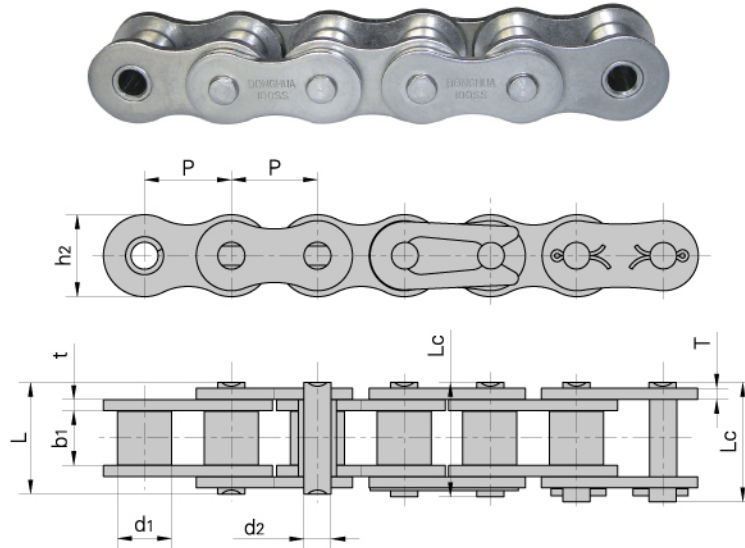


不锈钢滚子链

Stainless steel roller chains

不锈钢链条适合在易受食品、化学、药品等侵蚀场合使用，还可用于高低温场合。
Stainless steel chains are suitable for corrosive conditions involving food, chemicals, pharmaceuticals, etc. also suitable for high and low temperature conditions



东华链号 Donghua Chain No.	节距	滚子直径	内节内宽	销轴直径	销轴长度		内链板高度	链板厚度	破断载荷	每米长重
	Pitch	Roller diameter	Width between inner plates	Pin diameter	Pin length		Inner plate depth	Plate thickness	Breaking load	Weight per meter
	P	d1 max	b1 min	d2 max	L max	Lc max	h2 max	t/T max	Q	q
	mm	mm	mm	mm	mm	mm	mm	mm	kN/LB	kg/m
*25SS	6.350	3.30	3.18	2.31	7.9	8.40	6.00	0.80	2.5/568	0.15
*35SS	9.525	5.08	4.77	3.58	12.4	13.17	9.00	1.30	5.5/1250	0.33
40SS	12.700	7.95	7.85	3.96	16.6	17.80	12.00	1.50	9.6/2182	0.63
41SS	12.700	7.77	6.25	3.58	13.75	15.00	9.91	1.30	6.0/1360	0.46
50SS	15.875	10.16	9.40	5.08	20.7	22.20	15.09	2.03	15.2/3455	1.03
60SS	19.050	11.91	12.57	5.94	25.9	27.70	18.00	2.42	21.7/4932	1.51
80SS	25.400	15.88	15.75	7.92	32.7	35.00	24.00	3.25	38.9/8841	2.62
100SS	31.750	19.05	18.90	9.53	40.4	44.70	30.00	4.00	60.0/13636	3.94
120SS	38.100	22.23	25.22	11.10	50.3	54.30	35.70	4.80	72.5/16477	5.72
140SS	44.450	25.40	25.22	12.70	54.4	59.00	41.0	5.60	94.0/21363	7.70
04BSS	6.000	4.00	2.80	1.85	6.80	7.80	5.00	0.60	2.0/455	0.11
05BSS	8.000	5.00	3.00	2.31	8.20	8.90	7.10	0.80	3.5/795	0.20
#06BSS	9.525	6.35	5.72	3.28	13.15	14.10	8.20	1.30	6.2/1409	0.41
08BSS	12.700	8.51	7.75	4.45	16.7	18.20	11.80	1.60	12.0/2727	0.70
10BSS	15.875	10.16	9.65	5.08	19.5	20.90	14.70	1.70	14.5/3295	0.94
12BSS	19.050	12.07	11.68	5.72	22.5	24.20	16.00	1.85	18.5/4205	1.16
16BSS	25.400	15.88	17.02	8.28	36.1	37.40	21.00	4.15/3.1	40.0/9091	2.73
20BSS	31.750	19.05	19.56	10.19	41.3	45.00	26.40	4.5/3.5	59.0/13409	3.73
24BSS	38.100	25.40	25.40	14.63	53.4	57.80	33.20	6.0/4.8	104.0/25454	7.20
32BSS	50.800	29.21	30.99	17.81	66.0	71.00	42.00	7.0/6.0	150.0/34090	10.22

*套筒链：表中滚子直径d1为套筒直径

*Bushing chain: d1 in the table indicate the external diameter of the bushing

#直链板

#Straight side plates